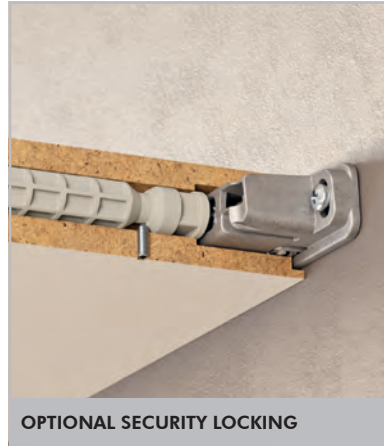
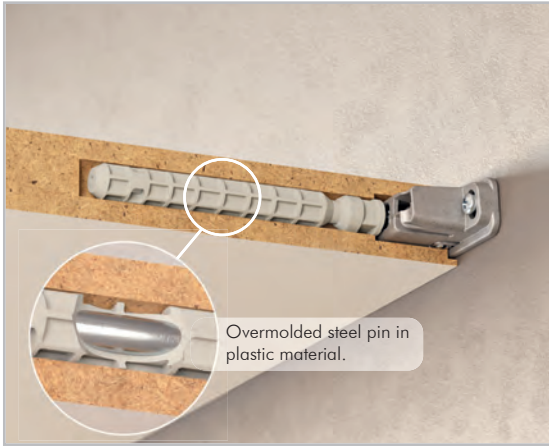


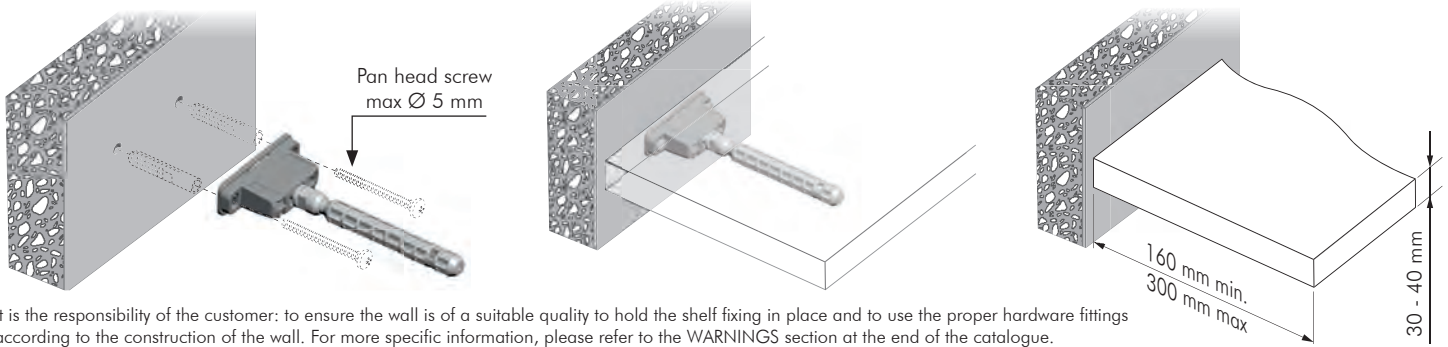
TRIADE PRO



30-40 mm

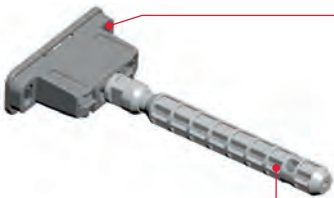
30 kg per pair for shelf 300 mm deep

SPECIFICATION



It is the responsibility of the customer: to ensure the wall is of a suitable quality to hold the shelf fixing in place and to use the proper hardware fittings according to the construction of the wall. For more specific information, please refer to the WARNINGS section at the end of the catalogue.

ADJUSTMENT

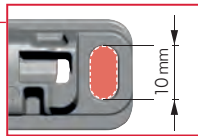


VERY IMPORTANT

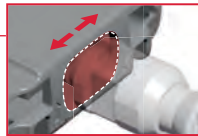


Screw to lock when adjustments are finished.

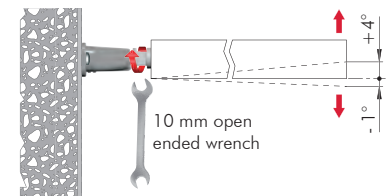
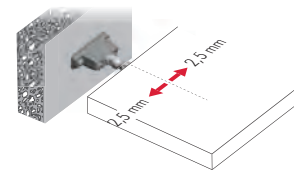
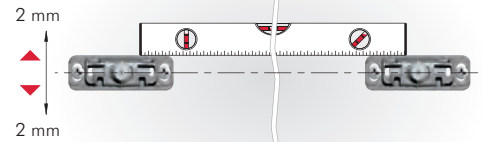
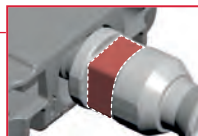
BRACKET ALIGNMENT



LATERAL ADJUSTMENT

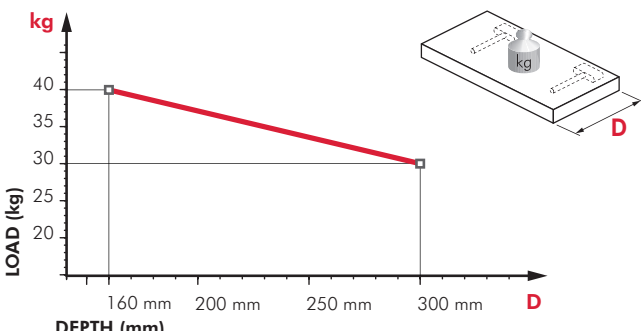


INCLINATION ADJUSTMENT

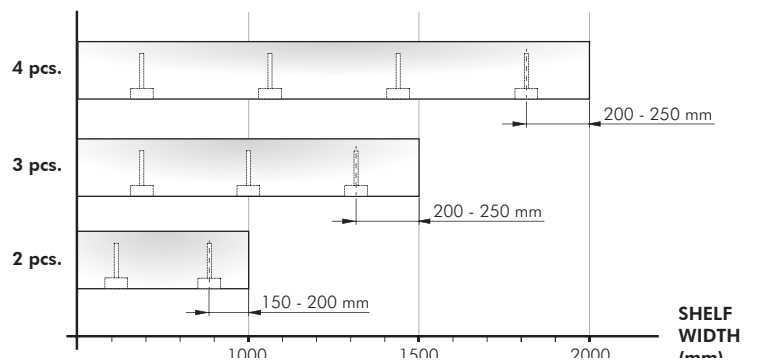


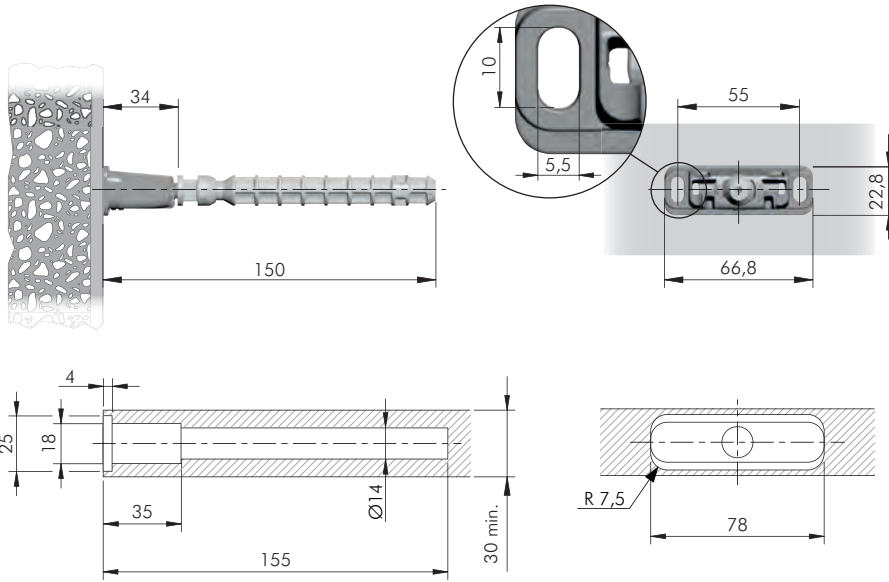
LOADING CAPACITY CHART

(The figures refer to 2 shelf supports)



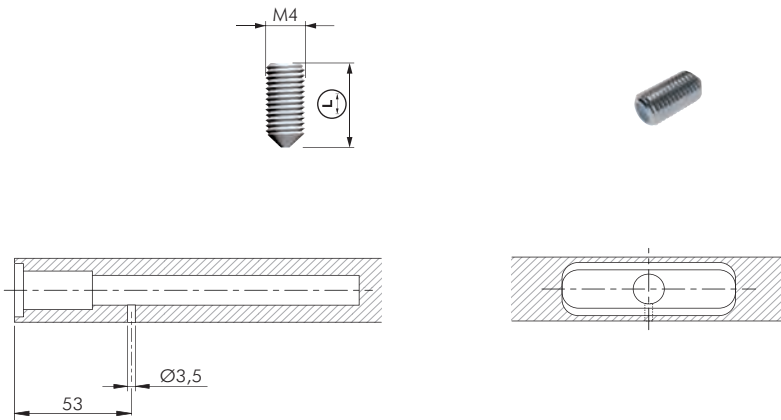
RECOMMENDED NUMBER OF TRIADE PRO PER SHELF





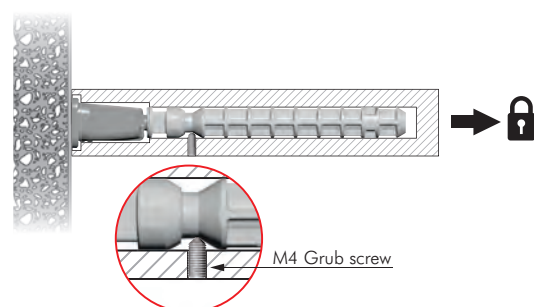
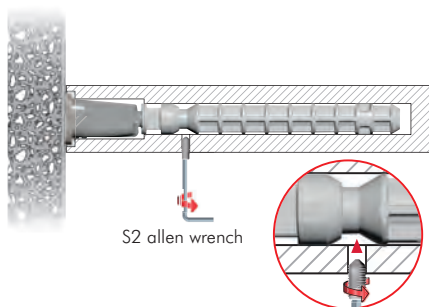
= PZ2 = open ended wrench 10 mm
 = 50 pcs.
 123
1623002000

OPTIONAL DRILLING FOR SECURITY LOCKING

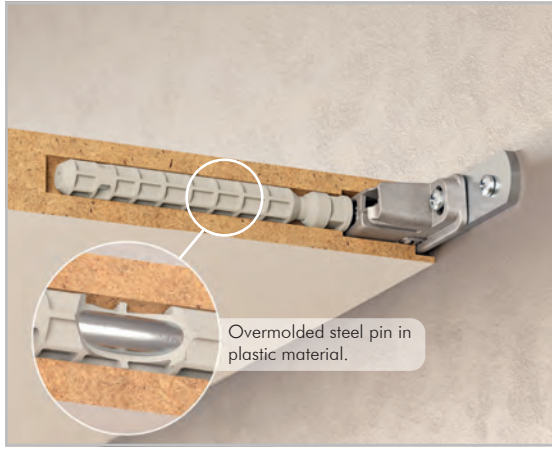


= S2 = on request
 = on request
 123

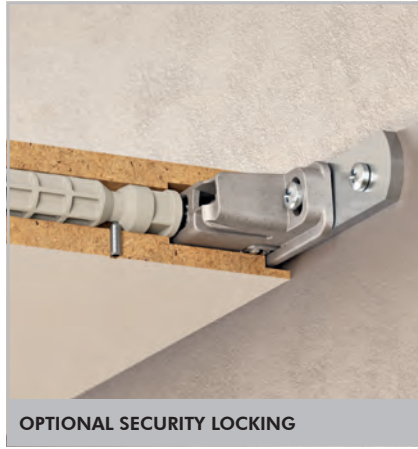
21105180ZN	10	30
21105220ZN	16	40



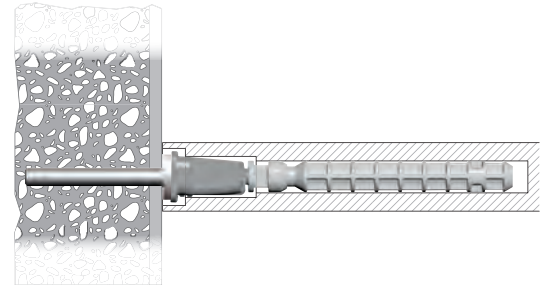
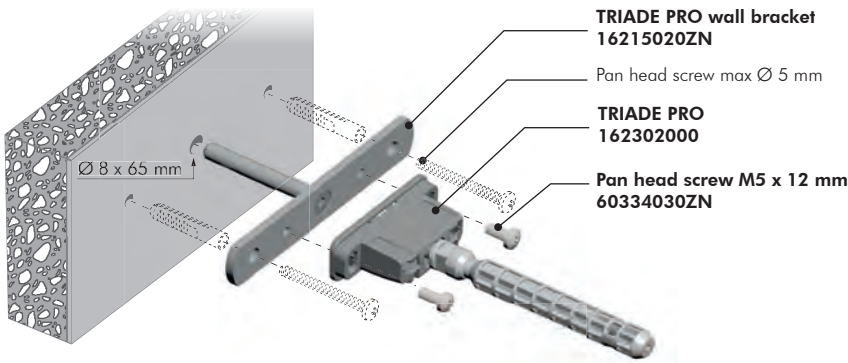
TRIADE PRO AND BRACKET



Overmolded steel pin in plastic material.

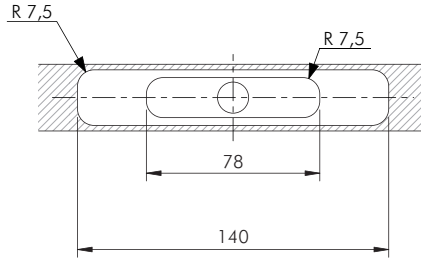
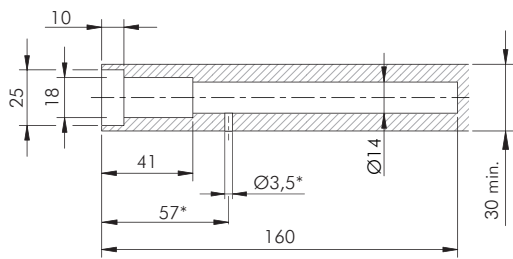


OPTIONAL SECURITY LOCKING

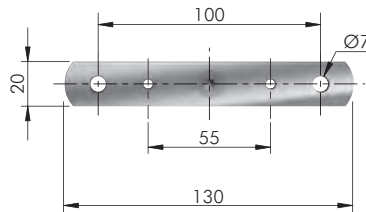
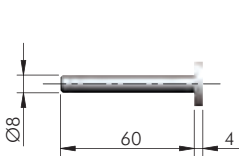


The wall bracket guarantees a more stable fixing to the wall.

It is the responsibility of the customer: to ensure the wall is of a suitable quality to hold the shelf fixing in place and to use the proper hardware fittings according to the construction of the wall. For more specific information, please refer to the WARNINGS section at the end of the catalogue.



* Optional drilling for security locking with M4 grub screw placed underneath in alignment with the cavity. For details refer to Triade Pro section.



ST = 100 pcs.

123 **16215020ZN**

= M5 = PZ2

ST = 500 pcs.

123 **60334030ZN**

FIXING ACCESSORY

