

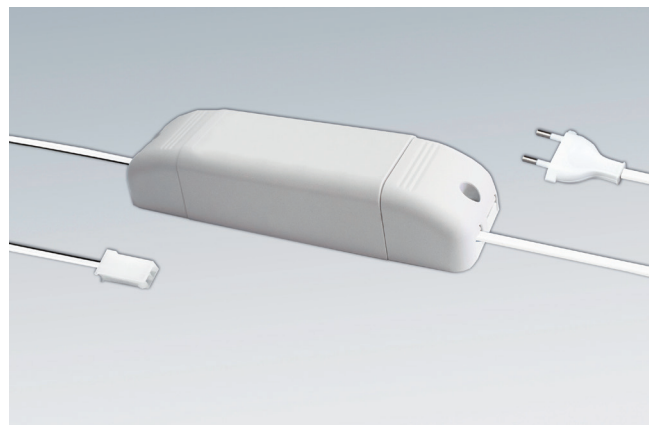
# DRIVER 19W DIMMER

LED 24V - IN 220÷240V DIMMER

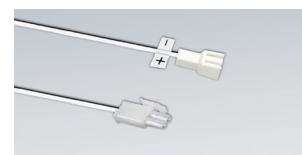
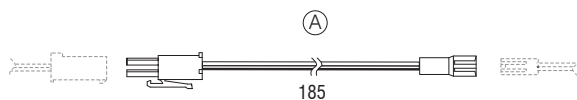
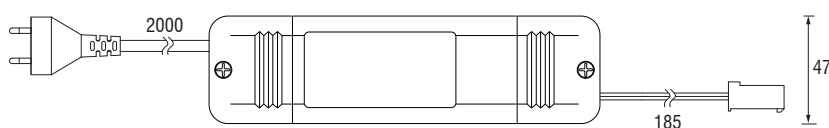
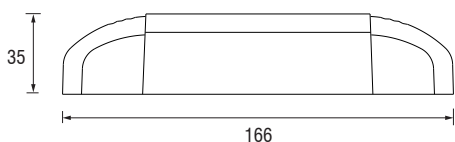
**FR** Driver per LED con cavo e spina - Tipo indipendente per uso interno, tensione di uscita costante 24V; protetto contro il corto circuito e il sovraccarico. Dimmerabile sul primario.

**EN** LED driver with cable and plug - Independent type for internal use, constant exit voltage 24V, protected against short circuit and overload. Dimmable on primary side.

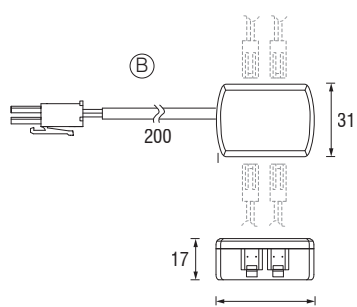
**DE** LED-Konverter mit Kabel und Stecker- Unabhängige Konverter mit staendiger Ausgangsspannung 24V, kurzschlussfest und ueberbelastungsgeschuetzt. Dimmbarer (primärseitig)



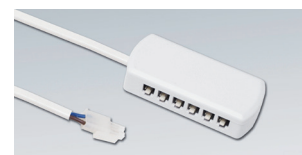
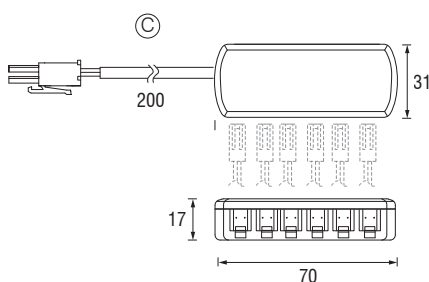
CE ENEC KEMA VDE SELV



(A) Cavo per connessione singola  
Single connection cable  
Einzelverbindungskabel



(B) Distributore a 4 uscite  
4-way distribution box  
4-fach Verteiler



(C) Distributore a 6 uscite  
6-way distribution box  
6-fach Verteiler

| Alimentatore - Driver - LED-Konverter |           |       |     |                                 |
|---------------------------------------|-----------|-------|-----|---------------------------------|
| V IN                                  | Hz        | V OUT | W   | Codice - Part no. - Artikel-Nr. |
| 220V÷240V                             | 50...60Hz | 24V   | 19W | 3T494901                        |

| Imballo - Packaging - Verpackung |       |               |
|----------------------------------|-------|---------------|
| Pcs                              | Kg    | mm            |
| 1                                | 0,250 | 50 x 45 x 180 |

| Accessori - Accessories - Zubehör |   | Codice - Part no. - Artikel-Nr. |
|-----------------------------------|---|---------------------------------|
| (A)                               | Prolunga / Extension / Verlängerungskabel | 6LC10008                        |
| (B)                               | 4 uscite / 4 Way / 4-fach                 | 1T3001                          |
| (C)                               | 6 uscite / 6 way / 6-fach                 | 1T3002                          |

| Pcs | Kg    |
|-----|-------|
| 1   | 0,005 |
| 1   | 0,021 |
| 1   | 0,028 |

Dimensioni in millimetri (mm)  
Dimensions in Millimeters (mm) - Dimensionen in Millimetern (mm)

Compatibile con prodotti LED 24V  
Compatible with 24V LED products - Kompatibel mit 24V LED Produkten

