

FR 1020

SLIDE TYPE:	Regular-Extension Drawer Slide
MOUNTING:	Side Mount

WIDTH:	12 mm
LOAD CAPACITY:	dynamic up to 30 kg

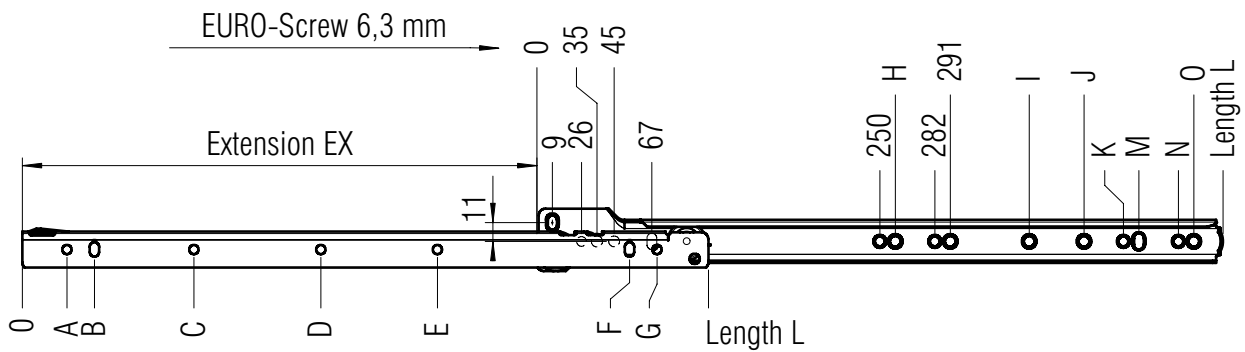
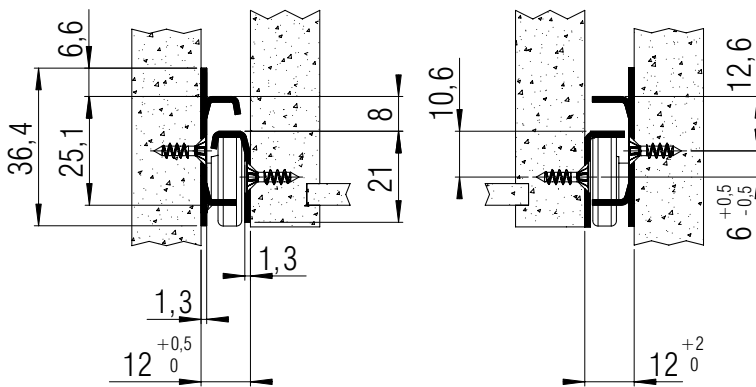


MATERIAL:	steel, white powder coated
------------------	----------------------------

FEATURES:	solid delrin* rollers
------------------	-----------------------

SPECIFICATIONS:
<ul style="list-style-type: none"> ▶ lateral stability provided by specially shaped profiles ▶ integrated side adjustment - clearance adjustable up to 2 mm ▶ double hole system on cabinet profile for offset attachment to thin inside walls ▶ added strength of cabinet profile provided by special front flange ▶ oblong holes in the cabinet profile permit easy height adjustments ▶ dual detent in the drawer profile holds the drawer in place when extended ▶ single-sided captive profile (left)

*DuPont (TM) Delrin®



screw holes for 3,5 mm spax screws / 6,3 mm EURO screws

L mm	EX mm	A mm	B mm	C mm	D mm	E mm	F mm	G mm	H mm	I mm	J mm	K mm	M mm	N mm	O mm	Weight per pair (kg)	Order No. white
300	215	46	62	142			254	270					259			0,49	▶ 3009
350	265	32	48	192			304	320		323			259			0,56	▶ 3010
400	300	50	66	242			354	370	259	355		378	387			0,63	▶ 3011
450	350	36	52	292			404	420	259	387		410	419	442		0,70	▶ 3012
500	400	22	38	150	342		454	470	259	387	419	442	451	474	483	0,78	▶ 3013
550	430	40	56	200	392		504	520	259	483		506	515	538		0,83	▶ 3014
600	480	26	42	250	442		554	570	259			506	515	538	547	0,92	▶ 3015
650	530	44	60	300	492		604	620	259			506	515	538	547	0,99	▶ 3016
700	560	30	46	190	350	542	654	670	259			506	515	538	547	1,06	▶ 3017

Packing Unit: 20 sets per box

▶ prompt delivery